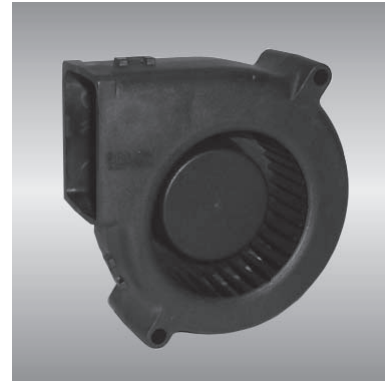


75 BG series

x75x30mm



General Specifications

- Motor : 4 Poles brushless DC motor
- Frame & Impeller : Plastic(UL 94V-0)
- Storage temperature : -40° to +75°
- Operating temperature : -10° to +70°

Major Characteristic Parameters

Model	Bearing System	Rated Voltage	Operating Voltage Range	Rated Current	Rated Speed	Maximum Air Flow		Maximum Static Pressure		Sound Level	Weight
Part NO.	B / S / F	V	V	A	RPM	m ³ /min	CFM	mm-H ₂ O	In-H ₂ O	dBA	g
BGE07530_12J	B S	12	7.0~13.2	0.09	2600	0.31	10.9	7.8	0.31	32.1	100
BGE07530_24J	B S	24	14.0~26.4	0.04	2600	0.31	10.9	7.8	0.31	32.1	100
BGE07530_12L	B S	12	7.0~13.2	0.15	3000	0.36	12.7	9.1	0.36	41.4	100
BGE07530_24L	B S	24	14.0~26.4	0.12	3000	0.36	12.7	9.1	0.36	41.4	100
BGE07530_12M	B S	12	7.0~13.2	0.25	3600	0.48	17.0	12.2	0.48	47.5	100
BGE07530_24M	B S	24	14.0~26.4	0.22	3600	0.48	17.0	12.2	0.48	47.5	100
BGE07530_12H	B S	12	7.0~13.2	0.42	4000	0.60	21.4	15.7	0.62	51.3	100
BGE07530_12H	B S	24	14.0~26.4	0.30	4000	0.60	21.4	15.7	0.62	51.3	100
BGE07530_12U	B S	12	7.0~13.2	0.45	4600	0.89	22.5	20.2	0.80	53.0	100
BGE07530_12U	B S	24	14.0~26.4	0.40	4600	0.89	22.5	20.2	0.80	53.0	100

*Bearing system B: Two Ball Bearing F: Fluid Bearing S: Sleeve Bearing

